



Zen Builder

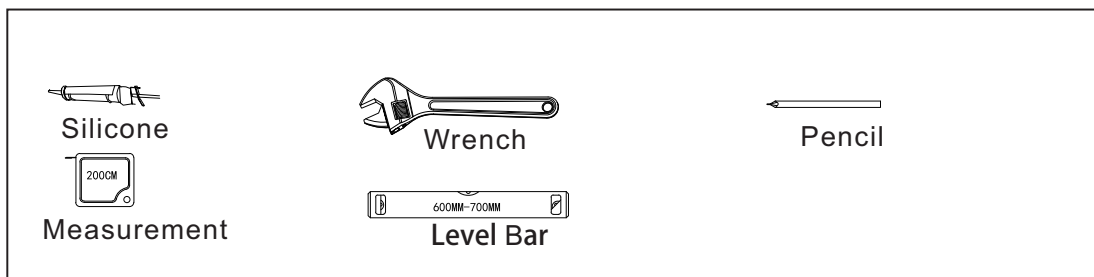
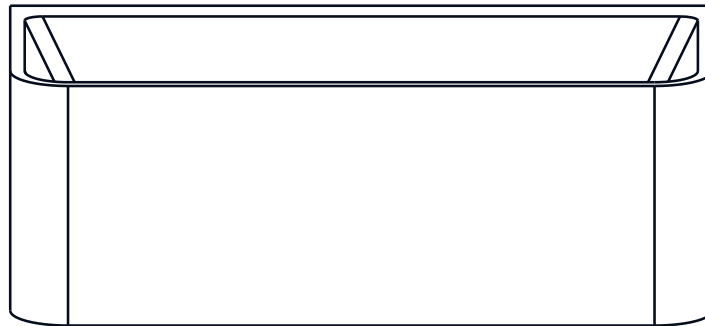
Instruction Manual



Model: **1041**

Installation Guide

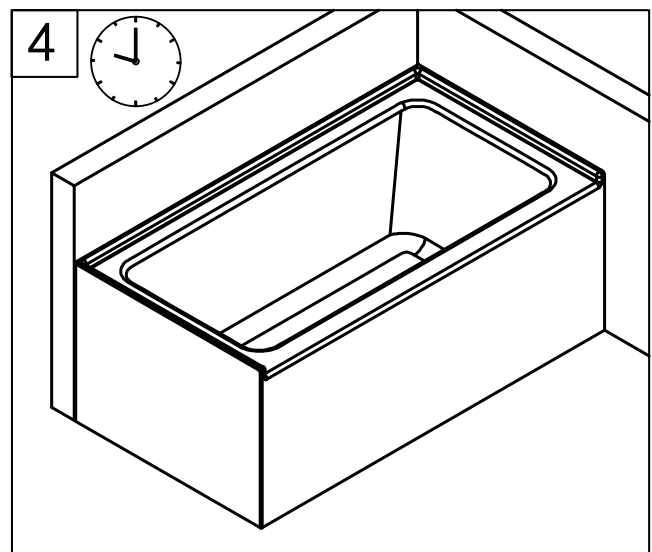
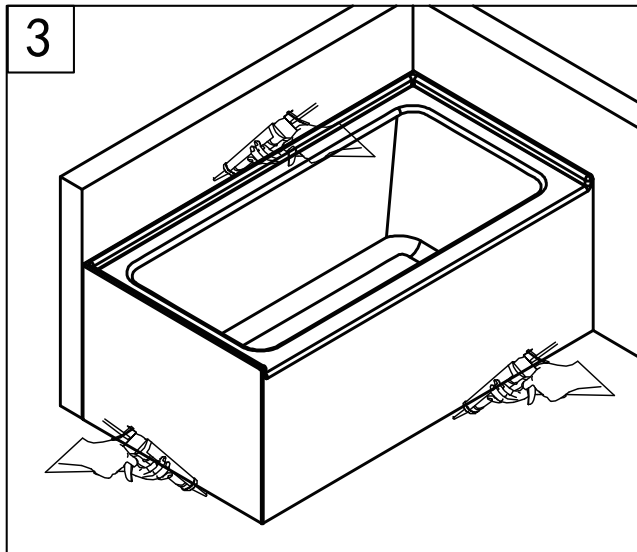
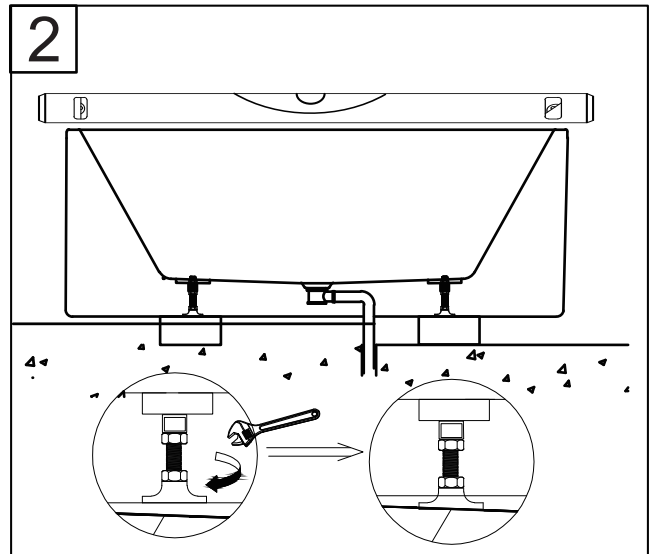
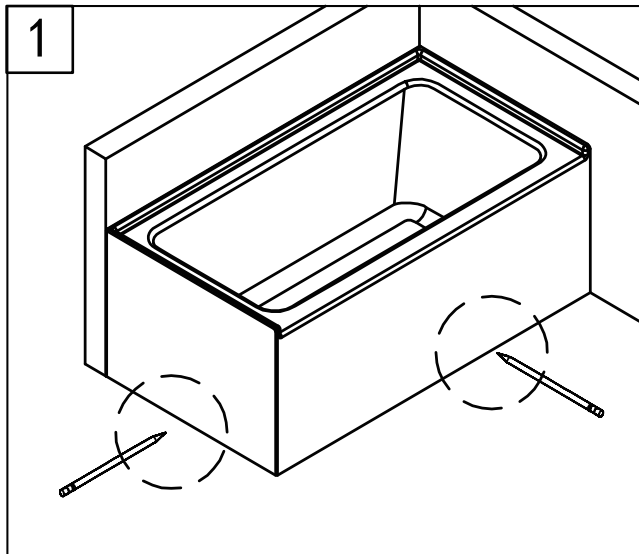
Model: 1041



- Please read all instructions carefully before proceeding with installation.
- Due to the complexity of the installation procedure a professional plumber is required.
- Specifications and directions may change without notice.

Zen Builder

1041



1. Move the bathtub into the desired location and mark on the floor along bathtub's bottom.
2. Set the bathtub upside down on a nonabrasive surface. Loosen the nuts and washers from the metal frame. Adjust the leveling feet to align with bathtub's bottom as well as level the tub with the floor and then tighten the washers and nuts.
3. Move the bathtub back into the desired location and put the drain hose into the floor drain.
4. Apply silicone along the bottom of the bathtub to create airtight seal.



DO NOT RETURN THIS PRODUCT TO THE STORE
NE PAS RETOURNER CE PRODUIT AU MAGASIN

Please contact Jade before returning any product. If you are missing parts or experiencing problems with your installation, our Customer Service Department will be happy to assist you.

S'il vous plaît contactez Jade avant de retourner tout produit. Si vous manquez des pièces ou avez des problèmes avec votre installation, notre Service à la Clientèle sera heureux de vous aider.

Jade Customer Service.
Service à la Clientèle.

Tel: **1-866-333-0555**

Jade Bathrooms Products Inc. 11111 rue Colbert, Anjou Québec, Canada, H1J 2S1 www.jadebath.com



Jade
11 900, J.J. Joubert,
Montreal, Canada H1E 7J4
Tel: (514) 832 0555
Fax: (514) 832 0554
www.jadebath.com